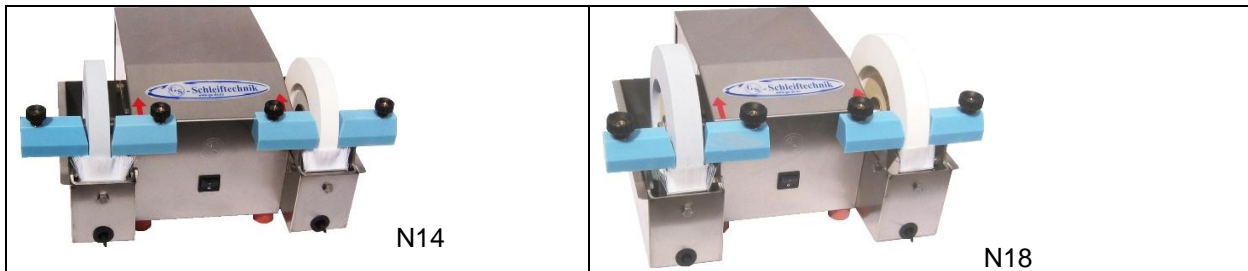


Knife grinding machine

N-1/14/18

01/2018

Operating instructions



GS-Schleiftechnik, Am Kiebitzengraben 4, D-91315 Höchstadt
Telefon ++49(0)9193-5018696 Telefax ++49(0)9193-52018698

Table of contents

A Safety

A.1 Dangers associated with the machine	4
A.2 Operation in accordance with intended use	4
A.3 Emissions	4
A.4 Sources of danger	4
A.5 The workplace	5
A.6 Authorised operators	5
A.7 Personal protective equipment	5
A.8 Machine safety measures on site	5
A.9 Behaviour in the event of an emergency	5
A.10 Safety information in this manual	5

B Setting up

B.1 Operating elements	6
B.2 Technical data	6
B.3 Installing and connecting the machine	7
B.4 Adjusting the grinding clearance guides	7
B.5 Replacing the grinding stones	7

C Operation

C.1 Grinding	7
C. Polishing and honing	7
Cl.	

D Cleaning and maintenance

D.1 Cleaning	8
D.2 Maintenance	8
D.3 Authorized cleaning agents	8
D.4 List of spare parts	9

Statement of warranty

This N-14/18 knife grinding machine carries a six month warranty from the date of delivery and is valid for single-shift operation only. The warranty covers free replacement of damaged and defective parts. Normal wear and tear, damage resulting from incorrect operation or negligence, and damage resulting from improper use or unauthorised modifications are not covered by this warranty.,

A. Safety

A.1 Dangers associated with the machine

The knife grinding machine is fitted with safety equipment, and has undergone a safety examination and inspection. However, in the event of misuse or incorrect operation, the operator, the machine and other assets of the owner may be endangered.

All personnel authorised to install, set up, operate and maintain the machine must read and comply with the following instructions. Their safety is at stake.

A.2 Operation in accordance with intended use

The knife grinding machine is designed solely for grinding knives for the food industry.

Unauthorised modifications and alterations to the machine are not permitted for safety reasons.

The manufacturer/retailer cannot be held liable for damage resulting from any operation which is not in accordance with the intended use. In this event, the operator is solely responsible.

The N –14/18 knife grinding machine may be considered dangerous if:

- it is used by untrained personnel.
- it is used for a purpose other than that intended by the manufacturer.

Observation of the operating manual and the maintenance guidelines is also a prerequisite for operation in accordance with the intended use.

A.3 Emissions

The A-assessed equivalent continuous sound pressure level of this machine is under 70 dB(A). No ear protection is necessary.

A.4 Sources of danger



Remove the mains plug before undertaking maintenance or cleaning.

Never remove safety equipment or disable it by modifying the machine.

Any alterations or repairs to the electrical system must be carried out by a qualified electrician.

Only use original spare parts from GS-Schleiftechnik.

A.5 Workplace

Workplace	in front of the machine
Working position	standing

A.6 Authorised operators

Those responsible for the N-14/18 knife grinding machine must make the operating manual available to the operator, and ensure that he/she has read and understood it.

Both the operator and his/her supervisor must ensure that only trained and authorised personnel have access to the machine. The machine may only be operated by trained and authorised personnel.

A.7 Personal protective equipment

No special protective equipment is required.

A.8 Machine safety measures on site

The N-14/18 knife grinding machine must be fixed to a flat, solid worktop. It is suited to working in a humid environment. Ensure that the workplace is always kept clean and tidy by appropriate instructions and inspections.

A.9 Behaviour in the event of an emergency

In the event of an emergency, remove the mains plug. If the machine's safety has been compromised, shut it down immediately and inform the person or department responsible.

A.10 Safety information in this manual

Note:



Information regarding economic operation of the machine.

Warning!



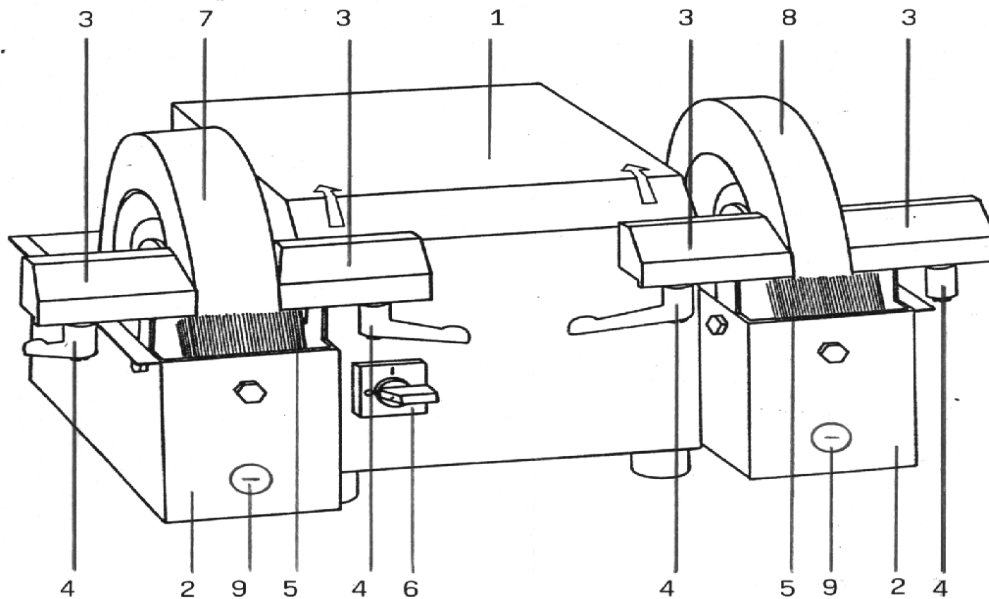
Instructions regarding the prevention of damage or accident.

Danger!



Instructions regarding the prevention of injury to personnel or extensive damage to property.

B.1 Operating elements



1 Casing
2 Water basin
3 Grinding clearance guides
4 Clamping levers

5 Water wiper brushes
6 On/off switch
7 Grinding disc
8 Polishing and honing disc
9 Water drain plug

B.2 Technical data

Voltage supply	230V 1Ph 0,7A
Casing and water basin	Stainless steel
Width/height/depth	ca. 410x270x210
Grinding disc	140x25x14 / 175x32x14
Honing disc	140x25x14 / 175x32x14
Weight	N14/10 kg N18/12kg



Remove the mains plug before undertaking maintenance or cleaning.

Never remove safety equipment or disable it by modifying the machine.

Any alterations or repairs to the electrical system must be carried out by a qualified electrician.

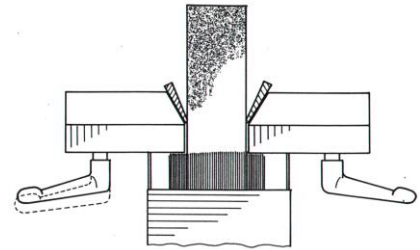
Only use original spare parts from GS-Schleiftechnik.

B.3 Installing and connecting the machine

Mount the knife grinding machine on a solid, flat surface. The ventilation ducts on the machine's underside must not be covered. Connect the machine to a 230 V AC supply protected by a 16 A fuse, and fill the water basin with about 4 cm of water.

B.4 Adjusting the grinding clearance guides

After releasing the clamping levers, slide the grinding clearance guides towards the grinding wheel to give a gap of approx. 1/2 mm. Then retighten the clamping levers. If the clamping lever is lowered it can be turned without slackening the screw tension.



B.5 Replacing the grinding stones

Remove the grinding clearance guides. Hold the grinding stone in one hand, and loosen the tensioner bolt with a 17 mm spanner in the turning direction of the grinding stone. The bolt on the right side has a left-hand thread. Remove the bolt with the tensioner flange, and the grinding disc can be pulled out from the side. Reassembly is the reverse of disassembly. Before fully tightening the tensioner bolt, line up the grinding disc by gently tapping with a nylon hammer or a block of wood.

C Operation

C.1 Grinding

Before grinding, remove any grease or other residue from the knife. Place the knife in the grinding clearance guide and slide it backwards and forwards along the cutting edge with a small amount of pressure. Repeat several times, on the right and the left of the grinding disc. Make sure that the knife is correctly placed in the grinding clearance guides so that it is sharpened uniformly. Continue until both sides of the cutting edge have a constant burr. This is likely to take some time on an old, heavily used knife. The degree of hardness of the knife's blade will also affect its sharpening time.

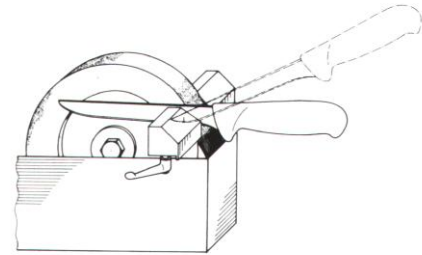


Bild 1

C.2 Polishing and honing

Repeat the procedure as for grinding, but using the polishing and honing stone. Within a short time the cutting edge is polished. Then hone the blade with minimum pressure.

Once a knife has been properly ground and polished, the procedure does not have to be repeated every time the blade needs sharpening. The knife only needs to be reground when polishing and honing fails to sharpen the blade.

D Cleaning and maintenance

D.1 Cleaning

Over time, dust from the grinding process builds up on the polishing and honing disc. To remove this, hold the supplied dressing stone hard against the grinding surface. If grease has got onto the grinding stones despite cleaning the knives, just add solvent to the water.

The water basin should also be cleaned from time to time to remove grinding dust.

Warning!



Remove the mains plug before undertaking maintenance or cleaning.

Never remove safety equipment or disable it by modifying the machine.

Any alterations or repairs to the electrical system must be carried out by a qualified electrician.

Only use original spare parts from GS-Schleiftechnik.

D.2 Maintenance

The knife grinding machine is completely maintenance-free. In the unlikely event of a fault occurring on your machine, please contact our customer service department.

D.3 Authorized cleaning agents

Cleaning agents and procedures commonly used in the food industry can be used for cleaning and disinfecting the machinery. Only use legally permitted cleaning agents.



Statement of CE conformity

In accordance with the EC Guidelines for Machines **2006/42/EG**,
for the
N-14 knife grinding machine, serial no. N14130001

**GS-Schleiftechnik
Am Kiebitzengraben 4
91315 Höchstadt
Germany**

states, as manufacturer and sole responsible party, that
the **N-14** knife grinding machine
is in compliance with the requirements of the above guideline.

The following harmonised norms have been applied:
DIN EN ISO 12100-1:2003; DIN EN ISO 12100-2:2003, Machine, Equipment and
Systems Safety VDE 0100, VDE 0701/0702

In the event of unauthorised alterations to the **N-14** knife grinding machine,
this statement
shall become invalid.

GS-Schleiftechnik can provide the full technical documentation for
inspection.

The original version of the machine operating manual is also available.

The conformity of the N-14 knife grinding machine is ensured.

D-91315 Höchstadt, 21.10.2014

GS-Schleiftechnik
Management.



Statement of CE conformity

In accordance with the EC Guidelines for Machines **2006/42/EG**,
for the

N - 18 knife grinding machine, from serial no. N18140001

**GS-Schleiftechnik
Am Kiebitzengraben 4
91315 Höchstadt
Germany**

states, as manufacturer and sole responsible party, that
the **N - 18** knife grinding machine
is in compliance with the requirements of the above guideline.

The following harmonised norms have been applied:
DIN EN ISO 12100-1:2003; DIN EN ISO 12100-2:2003, Machine, Equipment and
Systems Safety VDE 0100, VDE 0701/0702,

In the event of unauthorised alterations to the **N - 18** knife grinding machine,
this statement
shall become invalid.

GS-Schleiftechnik can provide the full technical documentation for
inspection.

The original version of the machine operating manual is also available.

The conformity of the N - 18 knife grinding machine is ensured.

D-91315 Höchstadt, 21.10.2014

GS-Schleiftechnik
Management.

Spareparts N-14

Stck		Bezeichnung	Art.Nr.:
1	1	Grundgehäuse	11 140 180 001
2	1	Gehäuse-Abdeckung	11 140 180 002
3	1	Motorwinkel	11 140 180 100
4	1	Wasserbecken rechts	11 140 000 012
5	1	Wasserbecken links	11 140 000 011
6	2	Wasserabstreifbürste	12 148 000 001
7	2	Schleifwinkelhalter	11 140 000 003
8	1	Bodenplatte	11 140 180 003
9	2	Schleifwinkelführung rechts	12 148 141 000
10	2	Schleifwinkelführung links	12 148 140 000
11	4	Rändelmutter f. Schleifwinkelführung	12 590 206 000
12	1	Spannscheibe für Kunstschleifscheibe innen	12 148 000 501
13	1	Spannscheibe für Kunstschleifscheibe außen	12 148 000 500
14	1	Spannscheibe für Abziehschleifscheibe innen	12 148 000 501
15	1	Spannscheibe für Abziehschleifscheibe außen	12 148 000 500
16	1	Schraube M10x24 rechts	18 148 000 020
17	1	Schraube M10x24 links	18 148 000 021
18	2	Lagergehäuse f. Gleitlager	12 148 601 720
19	2	Gleitlager	12 148 183 201
20	2	Seegerring	18 148 200 100
21	4	GummifüÙe rot	12 482 530 101
22	2	Wasserablaufstopfen	12 630 141 500
23	1	Motor	14 140 180 000
24	1	Zahnrad für Motor 24 Zähne	13 140 180 024
25	1	Transformator 230/24V 100VA	15 148 000 000
26	1	Aluplatte mit Gleichrichter	15 140 180 001
27	1	Schraube M6x70 für Transformator	18 148 000 070
28	1	Ein-Aus Schalter	15140180000
29	1	Welle 140/18	12 140 024 517
30	1	Schwerspannstift	18 148 103 260
31	1	Zahnrad für Achse 35 Zähne Bohrung 18mm	13 140 180 036
32	1	Anschlusskabel 2m 3x0,75qmm m. Schuko-Stecker	15 113 203 000
33	1	Kabelverschraubung PG11	15 141 110 600
34	1	Mutter PG 11 für Kabelverschraubung	15 141 116 900
35			
36	1	Kunstschleifscheibe 140x25x14	20 140 251 424
37	1	Abziehscheibe 140x25x14	22 140 251 400
38	1	Abrichtstein	24 200 000 000
39			
40			
41			
42			
43			
44			
45			
46			
47			
48		Typenschild	
49		Drehrichtungspfeile	
50		Kabelbinder	

Sho

Spareparts N-18

Stck		Bezeichnung	Art.Nr.:
1	1	Grundgehäuse	11 140 180 001
2	1	Gehäuse-Abdeckung	11 140 180 002
3	1	Motorwinkel	11 140 180 100
4	1	Wasserbecken rechts	11 180 000 012
5	1	Wasserbecken links	11 180 000 011
6	2	Wasserabstreifbürste	12 148 000 001
7	2	Schleifwinkelhalter	11 180 000 003
8	1	Bodenplatte	11 140 180 003
9	2	Schleifwinkelführung rechts	12 148 141 000
10	2	Schleifwinkelführung links	12 148 140 000
11	4	Rändelmutter f. Schleifwinkelführung	12 590 206 000
12	1	Spannscheibe für Kunstschleifscheibe innen	12 148 000 501
13	1	Spannscheibe für Kunstschleifscheibe außen	12 148 000 500
14	1	Spannscheibe für Abziehschleifscheibe innen	12 148 000 501
15	1	Spannscheibe für Abziehschleifscheibe außen	12 148 000 500
16	1	Schraube M10x24 rechts	18 148 000 020
17	1	Schraube M10x24 links	18 148 000 021
18	2	Lagergehäuse f. Kugellager	12 148 110 000
19	2	Kugellager	12 620 200 001
20	2	Stellring 17mm	12 140 180 017
21	4	Gummifüße rot	12 482 530 101
22	2	Wasserablaufstopfen	12 630 141 500
23	1	Motor	14 140 180 000
24	1	Zahnrad für Motor 20 Zähne	13 140 180 020
25	1	Transformator 230/24V 100VA	15 148 000 000
26	1	Aluplatte mit Gleichrichter	15 140 180 001
27	1	Schraube M6x70 für Transformator	18 148 000 070
28	1	Ein-Aus Schalter A 107/50.0	15140180000
29	1	Welle 180/17	12 180 024 517
30	1	Schwerspannstift	18 148 103 260
31	1	Zahnrad für Achse 35 Zähne Bohrung 17mm	13 140 180 035
32	1	Anschlusskabel 2m 3x0,75qmm m. Schuko-Stecker	15 113 203 000
33	1	Kabelverschraubung PG11	15 141 110 600
34	1	Mutter PG 11 für Kabelverschraubung	15 141 116 900
35			
36	1	Kunstschleifscheibe 175x32x14	20 175 321 424
37	1	Abziehscheibe 175x32x14	22 175 321 600
38	1	Abrichtstein	24 200 000 000
39			
40			
41			
42			
43			
44			
45			
46			
47			
48		Typenschild	
49		Drehrichtungspfeile	
50		Kabelbinder	

Sho

